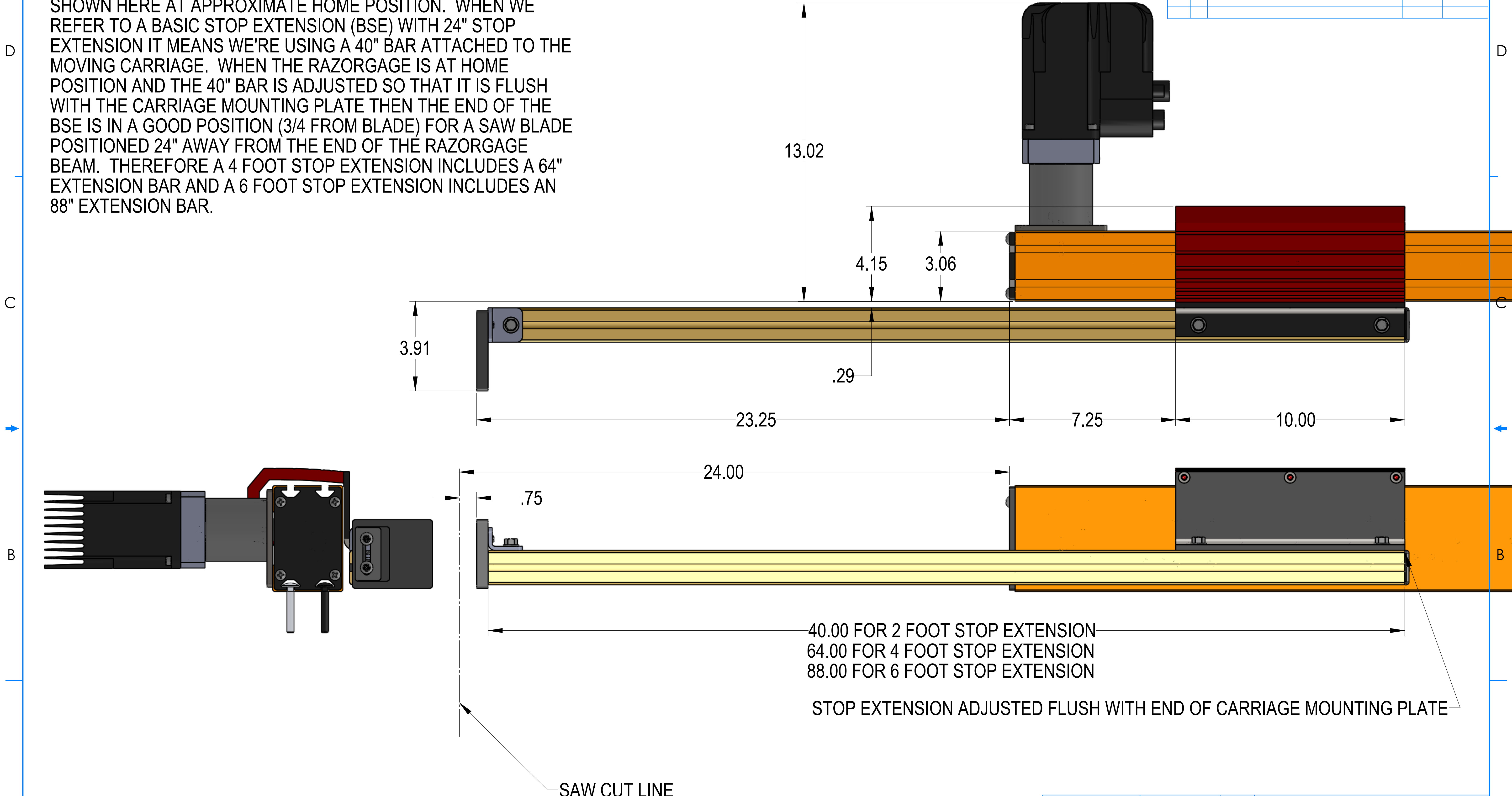


RAZORGAGE ST CONFIGURED FOR RIGHT OF SAW INSTALLATION SHOWN HERE AT APPROXIMATE HOME POSITION. WHEN WE REFER TO A BASIC STOP EXTENSION (BSE) WITH 24" STOP EXTENSION IT MEANS WE'RE USING A 40" BAR ATTACHED TO THE MOVING CARRIAGE. WHEN THE RAZORGAGE IS AT HOME POSITION AND THE 40" BAR IS ADJUSTED SO THAT IT IS FLUSH WITH THE CARRIAGE MOUNTING PLATE THEN THE END OF THE BSE IS IN A GOOD POSITION (3/4 FROM BLADE) FOR A SAW BLADE POSITIONED 24" AWAY FROM THE END OF THE RAZORGAGE BEAM. THEREFORE A 4 FOOT STOP EXTENSION INCLUDES A 64" EXTENSION BAR AND A 6 FOOT STOP EXTENSION INCLUDES AN 88" EXTENSION BAR.

REVISIONS				
ZONE	REV	DESCRIPTION	DATE	APPROVED
ALL	0	ORIGINAL REVISION	DATE	APPROVED



STANDARD NOTES: TOLERANCES UNLESS OTHERWISE SPECIFIED FRACTIONAL ± 1/16 X . XX ± .01 X . XXX ± .005 ANGLES ± 1° BREAK ALL SHARP EDGES INTERPRET DRAWING PER ASME Y14.5 -1994	APPROVED	DATE	TECHNICAL SERVICES INC. CUSTOM AUTOMATION FOR INDUSTRY AMES, IA RAZORGAGE ST BASIC STOP EXTENSION LENGTH DETAIL
	DR BY: HOSHOR	2/29/12	
	RESP ENG:		
	CUSTOMER:		
	SIZE: B	FSCM NO.:	DWG NO. BSE DETAIL
	SCALE: 1:2	WT:	SHEET 1