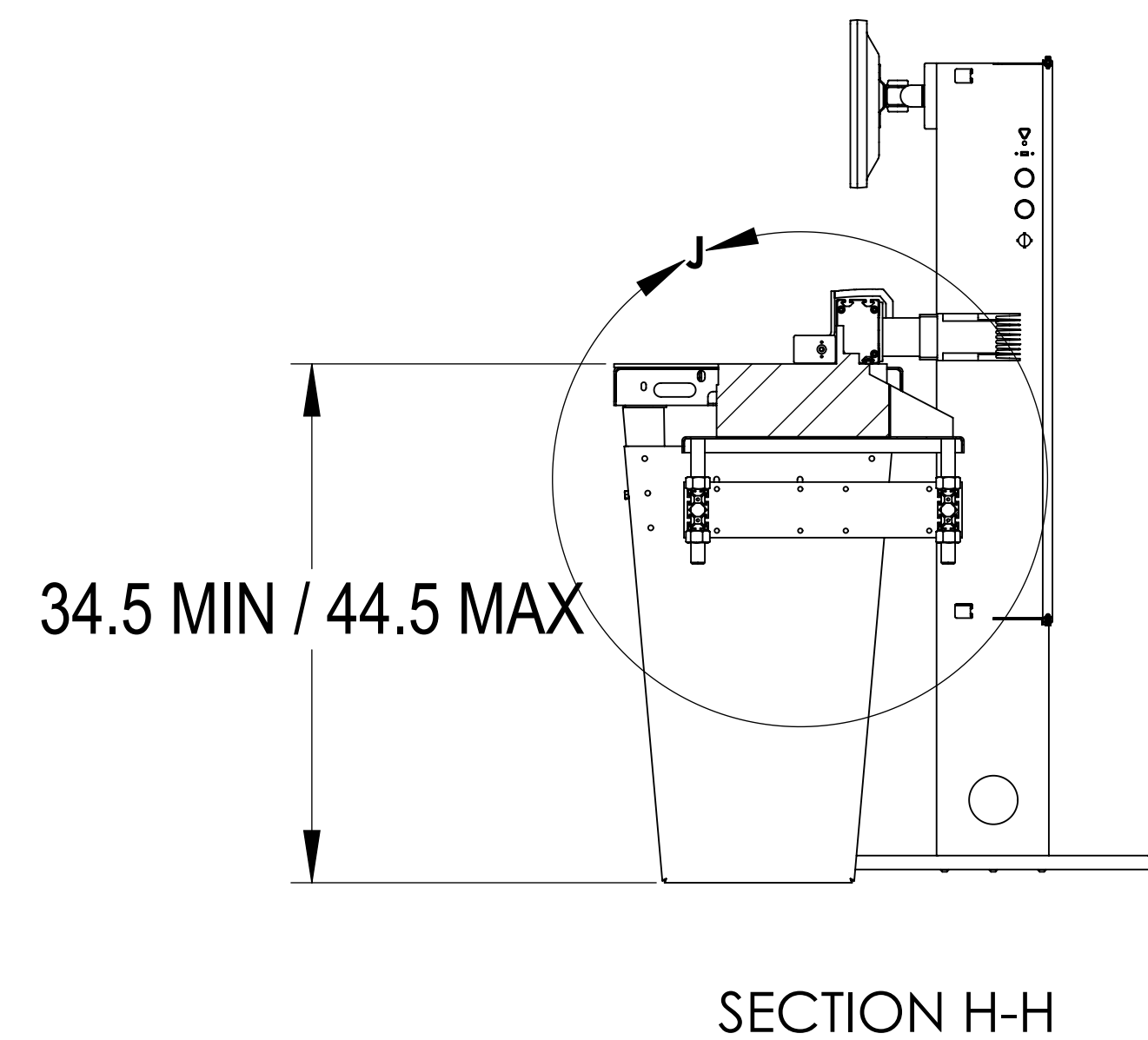
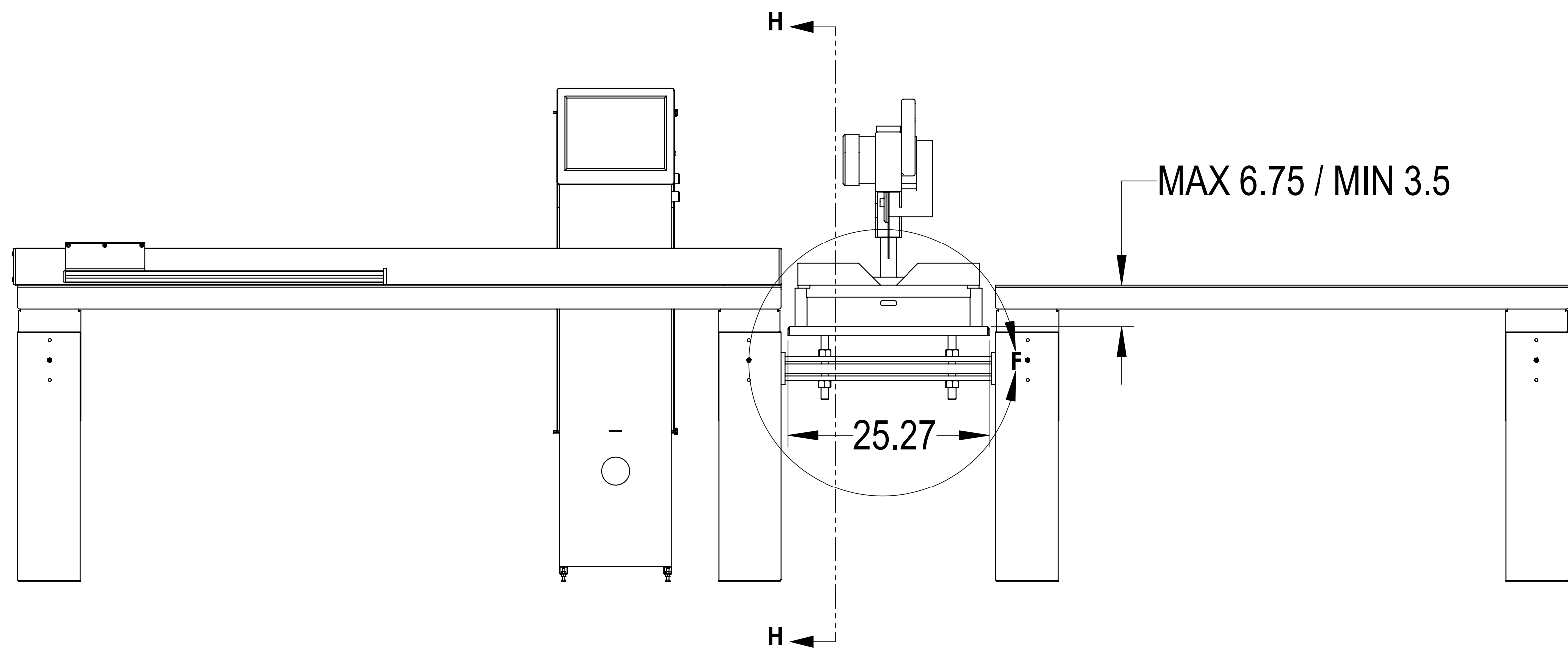
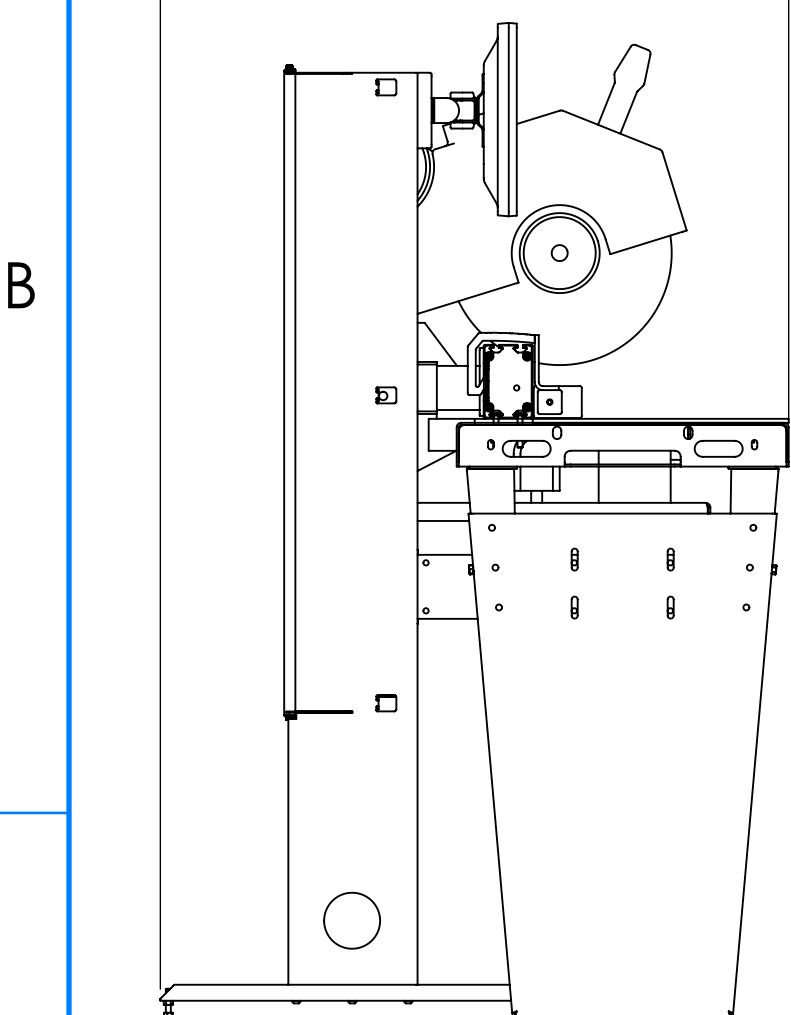
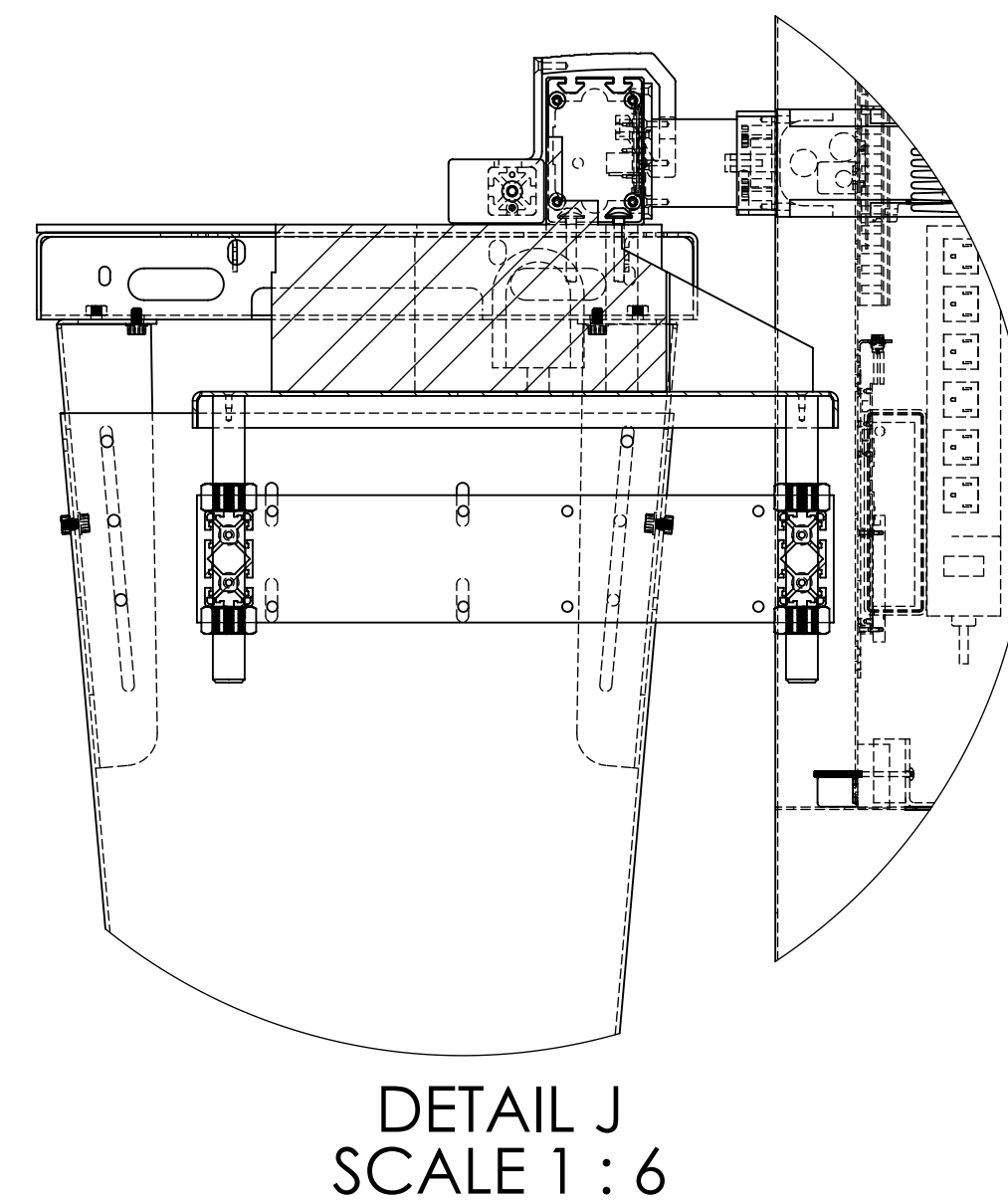
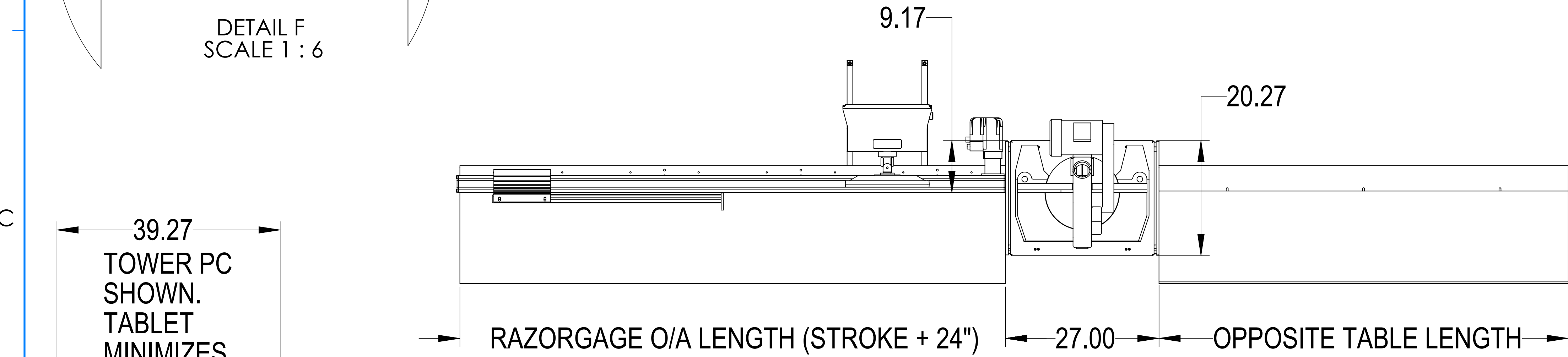
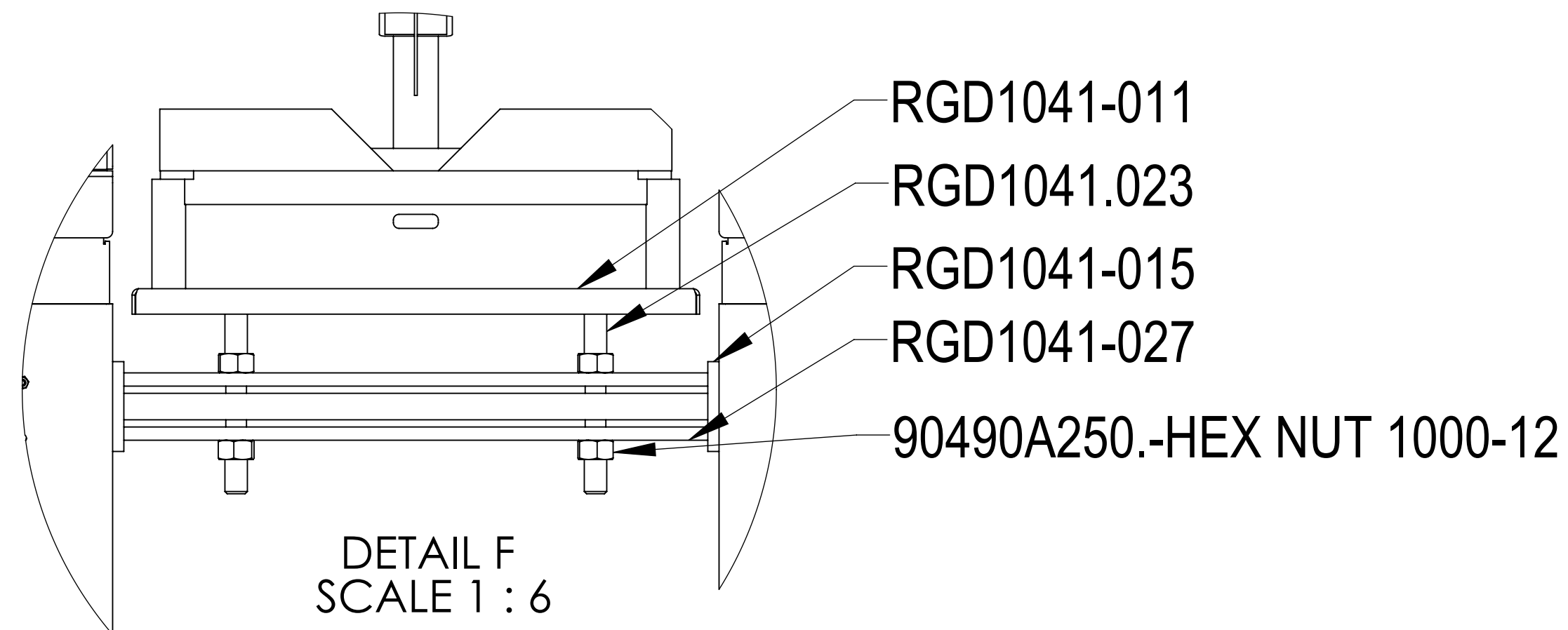


REVISIONS				
ZONE	REV	DESCRIPTION	DATE	APPROVED
ALL	0	ORIGINAL REVISION	DATE	APPROVED



STANDARD NOTES: TOLERANCES UNLESS OTHERWISE SPECIFIED FRACTIONAL ± 1/16 X . XX ± .01 X . XXX ± .005 ANGLES ± 1°	APPROVED	DATE	<b>TECHNICAL SERVICES INC.</b> CUSTOM AUTOMATION FOR INDUSTRY AMES, IA
	DR BY: HOSHOR	9/16/13	
	ORDER QTY		
	JOB NO.		
BREAK ALL SHARP EDGES	DATE ORDERED		
INTERPRET DRAWING PER ASME Y14.5 -1994	DATE NEEDED		
	RGX		
		SCALE 1:12	
		WT	
		SHEET 1	