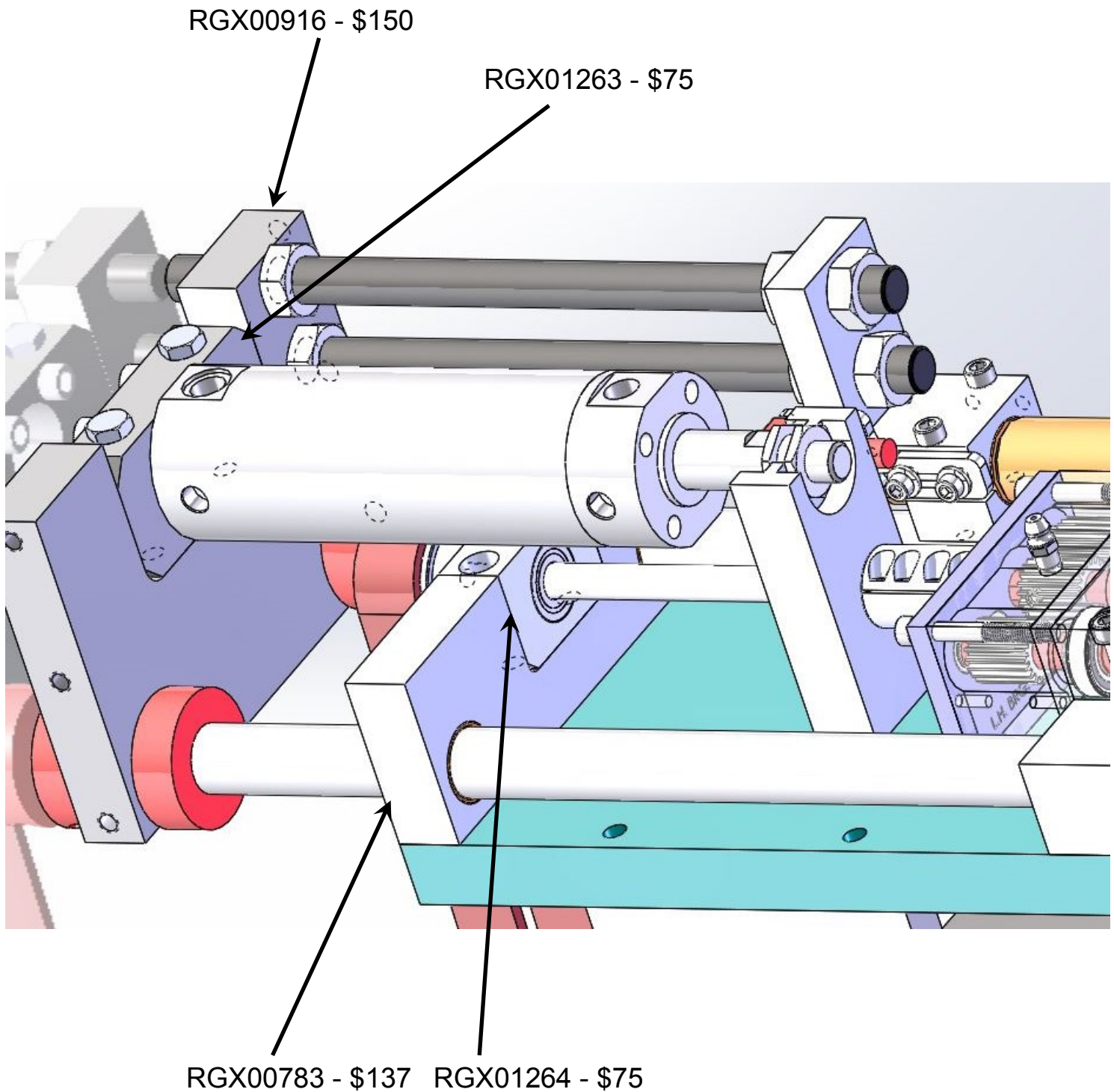


Parts to Improve Removal Of Pocket Drill Spindles & Rear Bearing



(1) each required per side - \$437 per side
\$874 for both sides