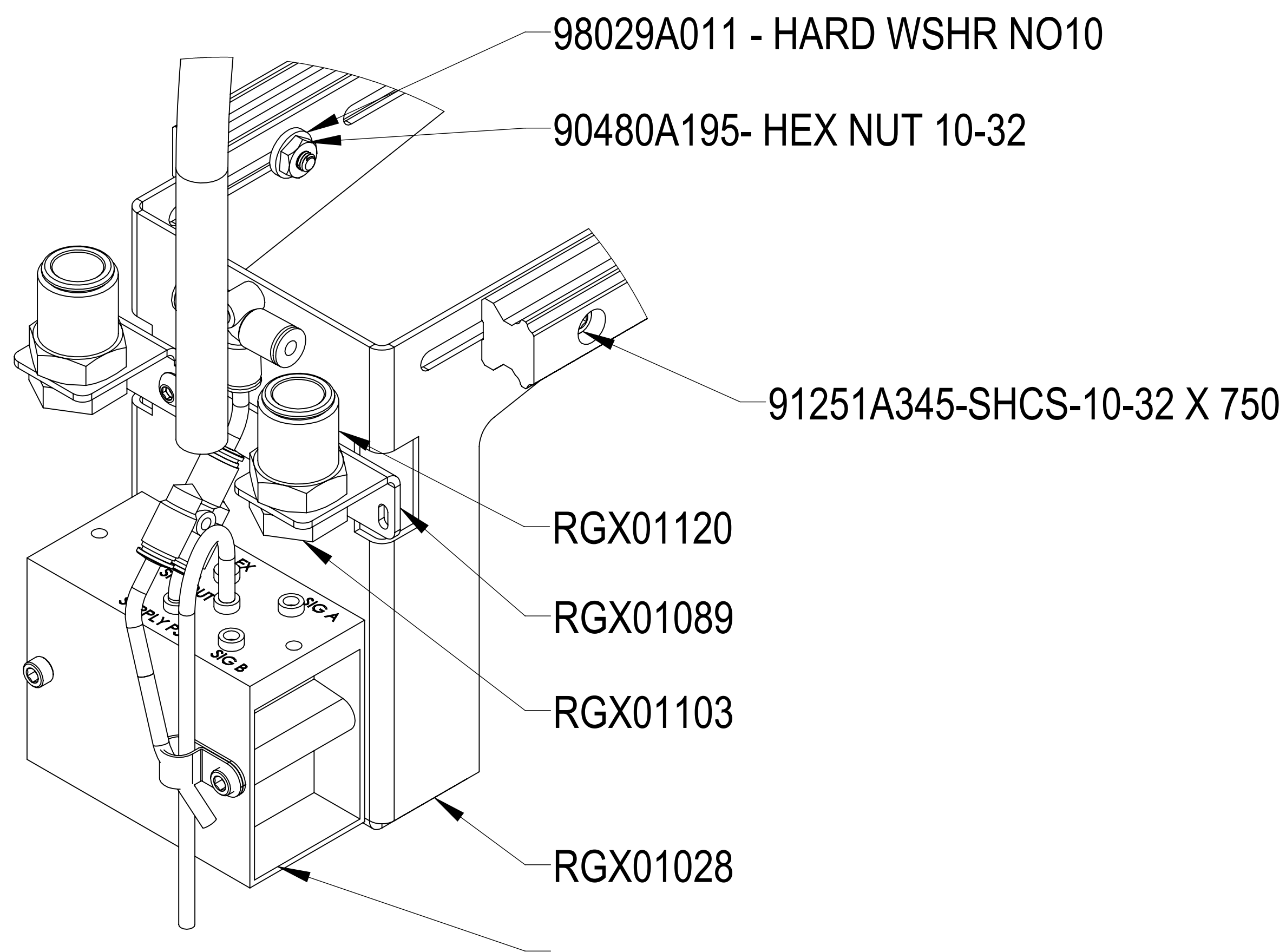
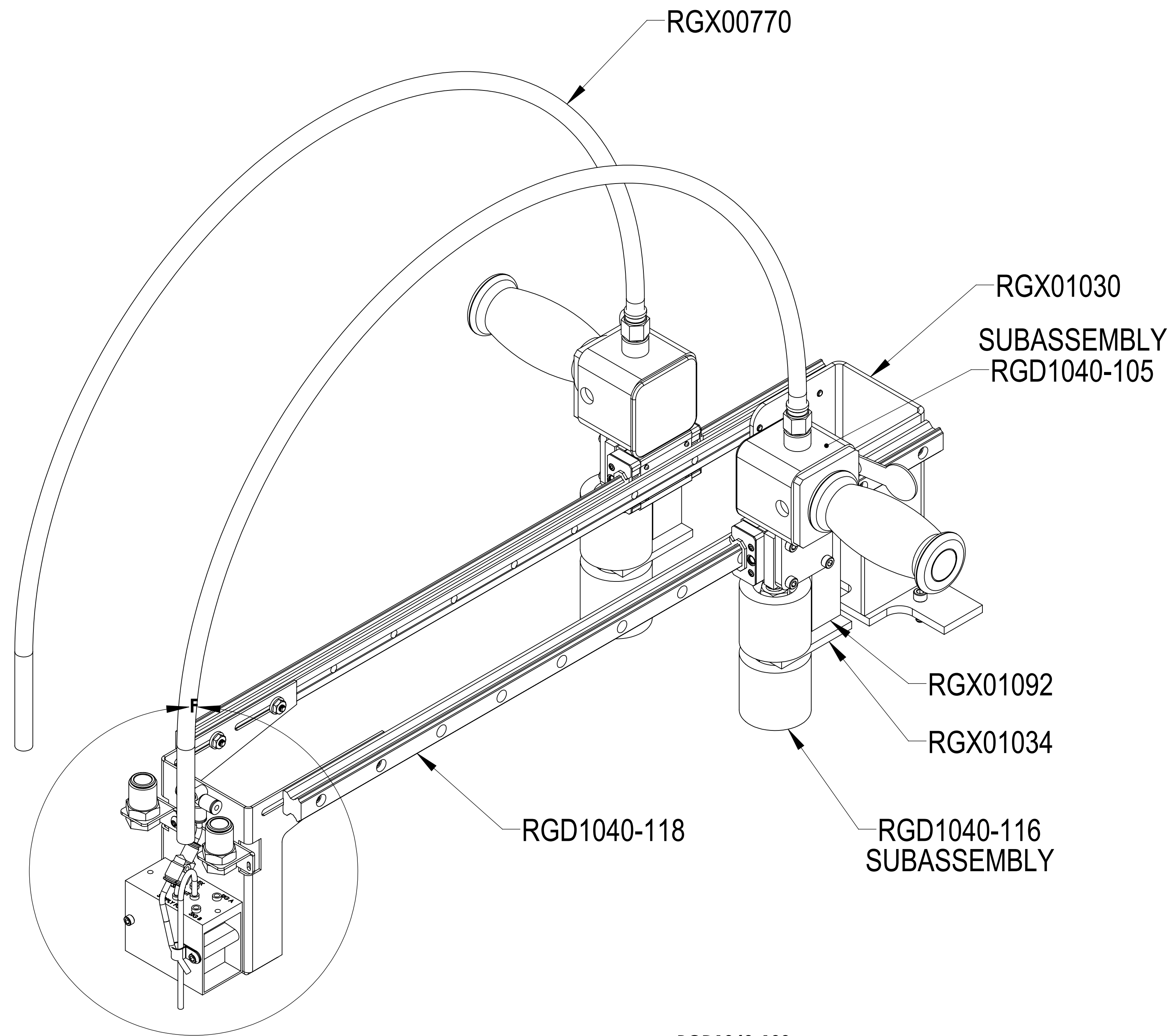


REVISIONS				
ZONE	REV	DESCRIPTION	DATE	APPROVED
ALL	0	ORIGINAL REVISION	DATE	APPROVED



DETAIL F
SCALE 1 : 1

SEE RGD1040-119 FOR PLUMBING DIAGRAM AND TROUBLESHOOTING INFO



RGD1040-100

STANDARD NOTES: TOLERANCES UNLESS OTHERWISE SPECIFIED FRACTIONAL ± 1/16 X . XX ± .01 X . XXX ± .005 ANGLES ± 1° BREAK ALL SHARP EDGES INTERPRET DRAWING PER ASME Y14.5 -1994	APPROVED	DATE	TECHNICAL SERVICES INC. CUSTOM AUTOMATION FOR INDUSTRY AMES, IA
	DR BY: HOSHOR	7/13/12	
	ORDER QTY	ORDQTY	RAZORGAGE SAFE T CROWDER MAIN ASSEMBLY
	JOB NO.	JOB#	
DATE ORDERED	ORDT	SIZE DWG NO. B RGD1040-100	
DATE NEEDED	NEEDED		
RGX NO.	SCALE 1:4	WT	REV 1
		SHEET 1	