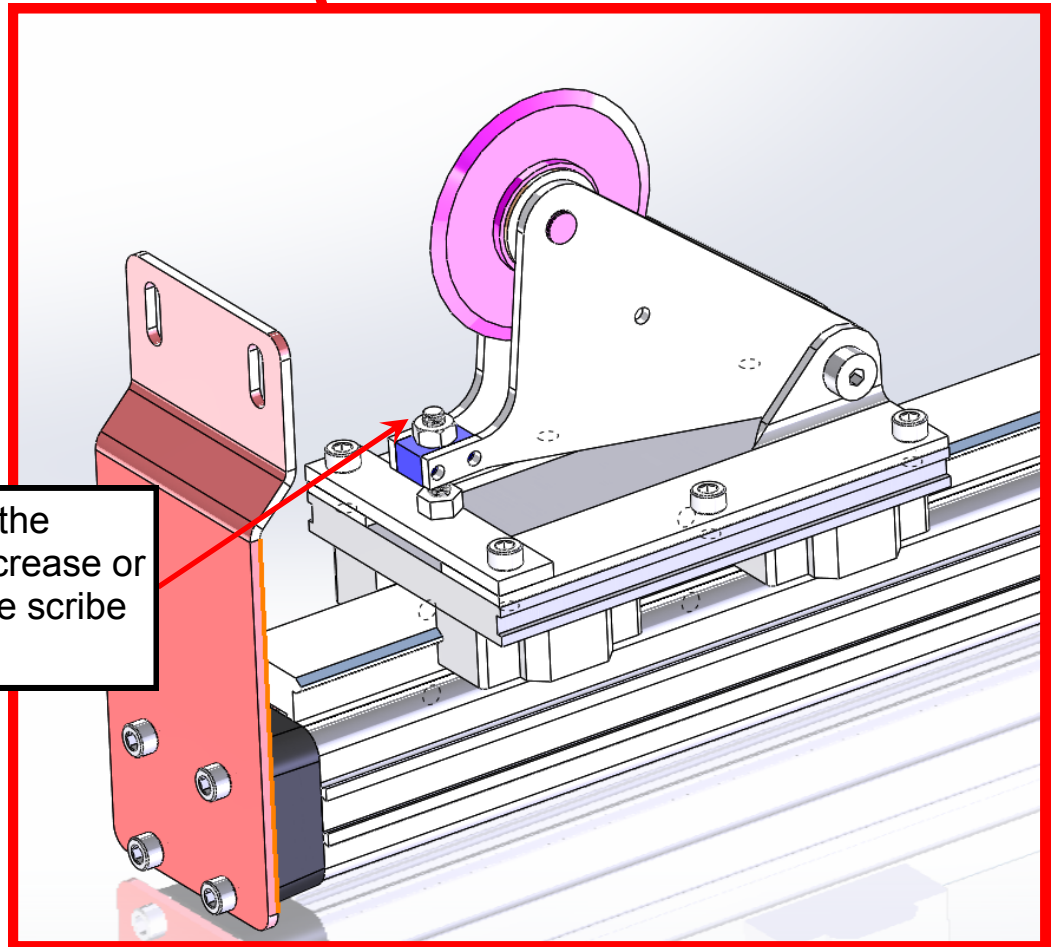
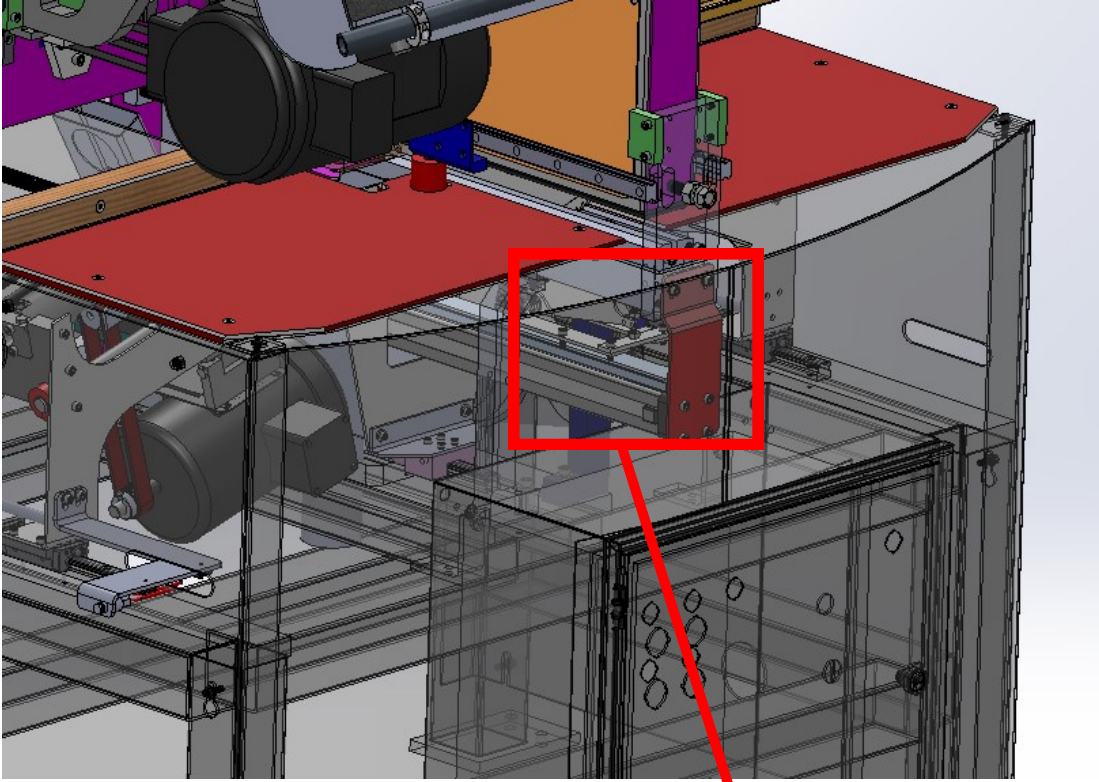


# Adjusting Scribe Height on RazorOptimal PocketHole



Use this screw to adjust the height of the scribe to increase or decrease the depth of the scribe groove.