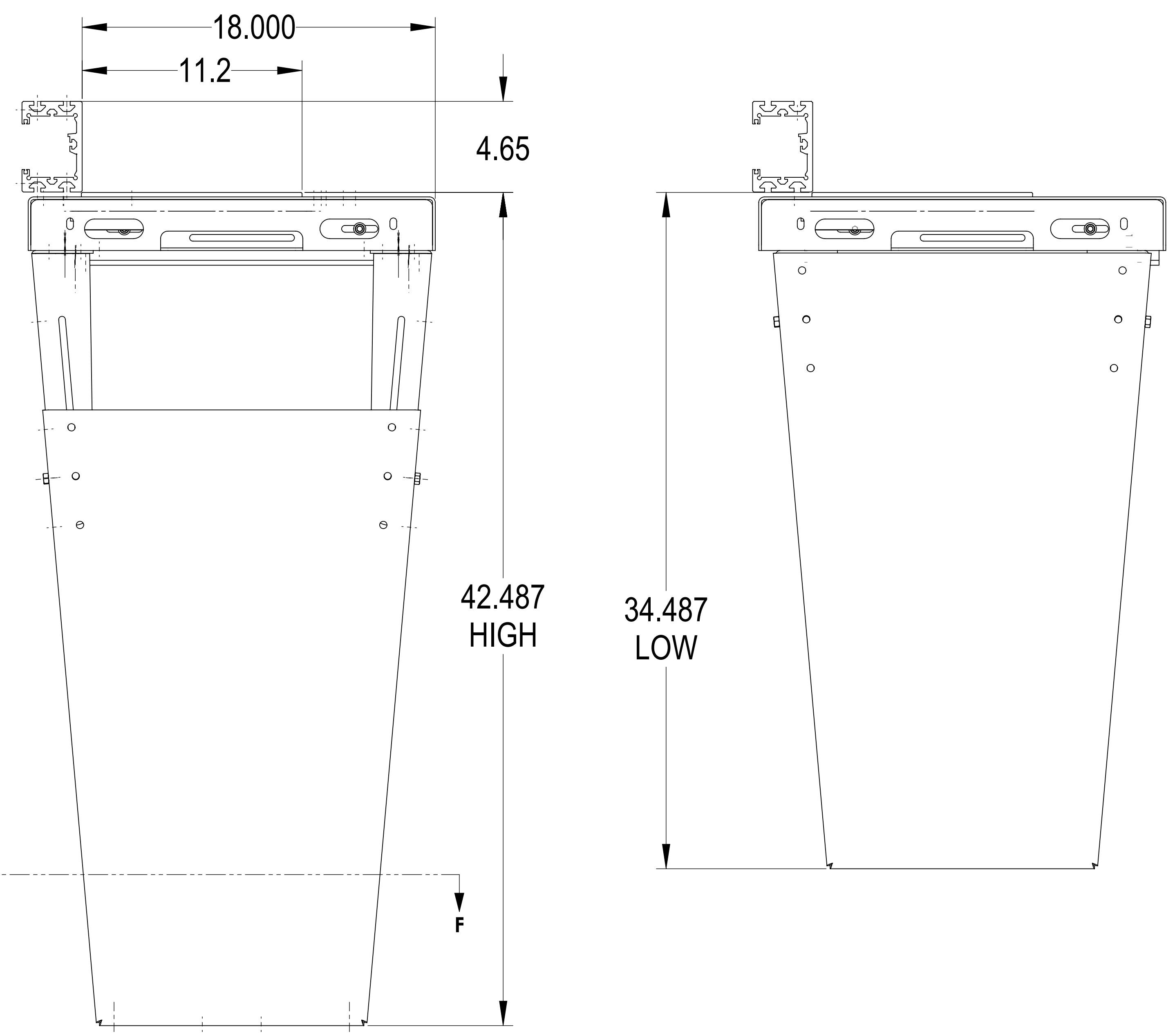
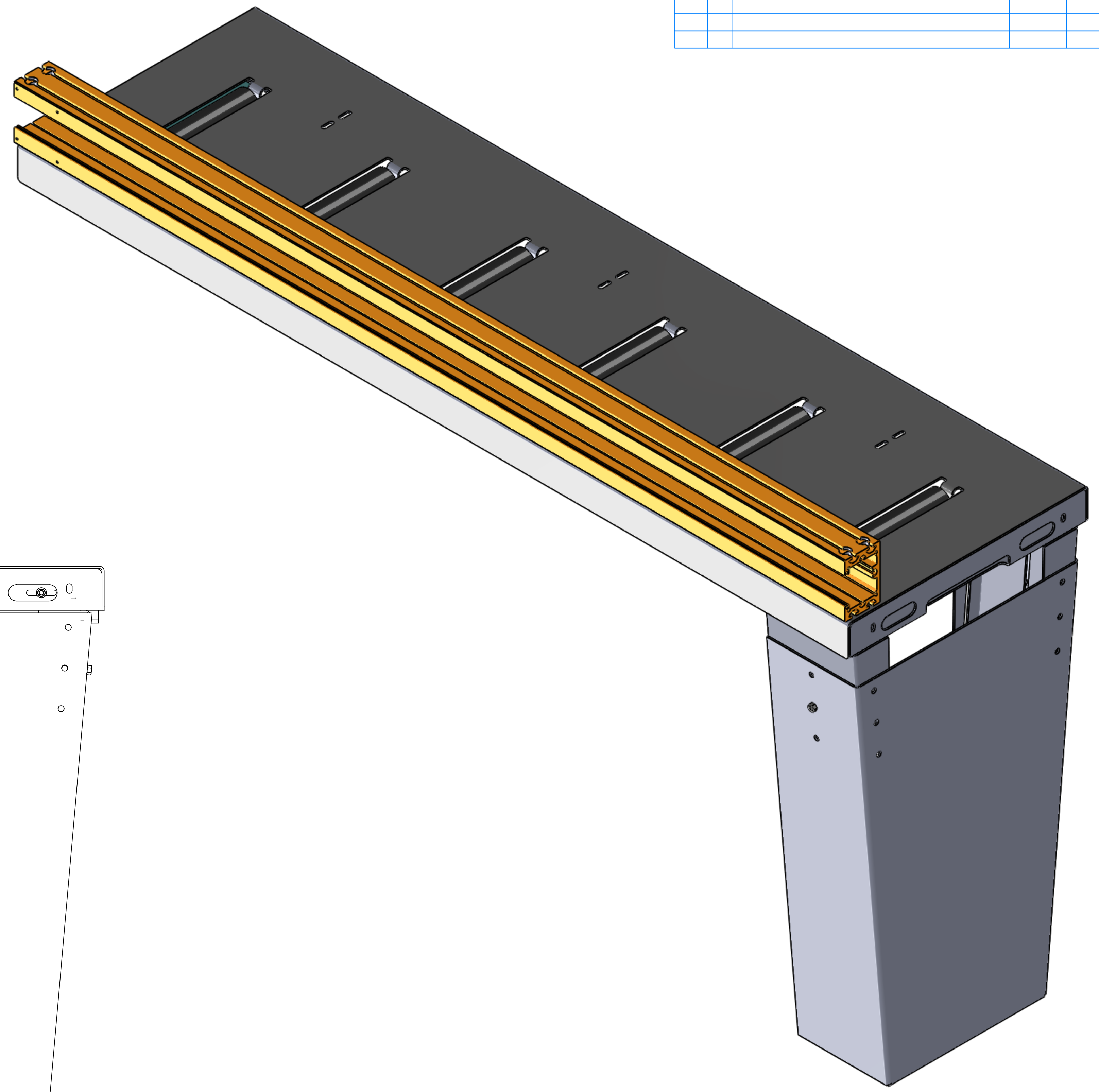
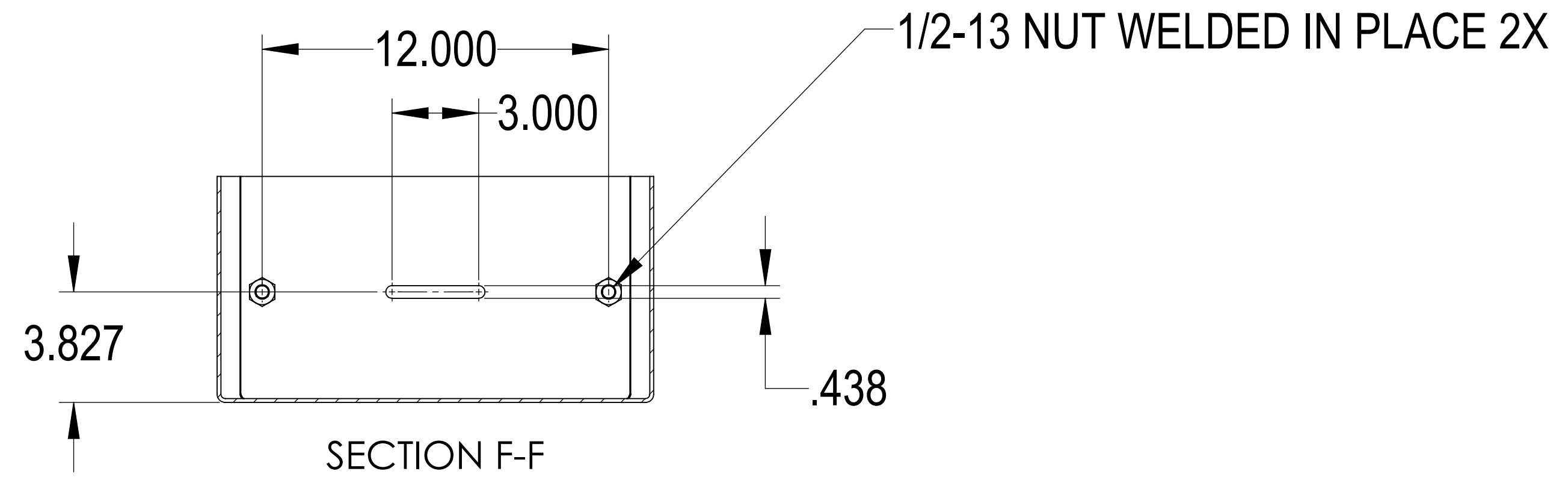


REVISIONS				
ZONE	REV	DESCRIPTION	DATE	APPROVED
ALL	0	ORIGINAL REVISION		



STANDARD NOTES: TOLERANCES UNLESS OTHERWISE SPECIFIED FRACTIONAL ± 1/16 X . XX ± .01 X . XXX ± .005 ANGLES ± 1°	APPROVED	DATE	<b>TECHNICAL SERVICES INC.</b> CUSTOM AUTOMATION FOR INDUSTRY AMES, IA
	DR BY HOSHOR	5/4/11	
	RESP ENG		
BREAK ALL SHARP EDGES INTENDED DRAWING PER ASME Y14.5-1994	CUSTOMER		ADJUSTABLE STACKING LEG DESIGN FOR RAZORGAGE ST TABLE
	SIZE B	FSCM NO.	DWG NO. RGD1012-000A
	SCALE 1:4	WT	REV 1
		SHEET 1	