

RAZORGAGE

POSITIONERS • SOFTWARE • SYSTEMS

RazorGage xT is our new entry level positioner for less demanding applications.

NEW!

xT Android

RazorGage xT with 7" Android tablet. Our entry level interface on our entry level positioner features intuitive operation, fraction keys, infinite preset hot keys, and even a Work Order screen where you can create and save thousands of cut lists. Supports bar code operation and remote serial commands.

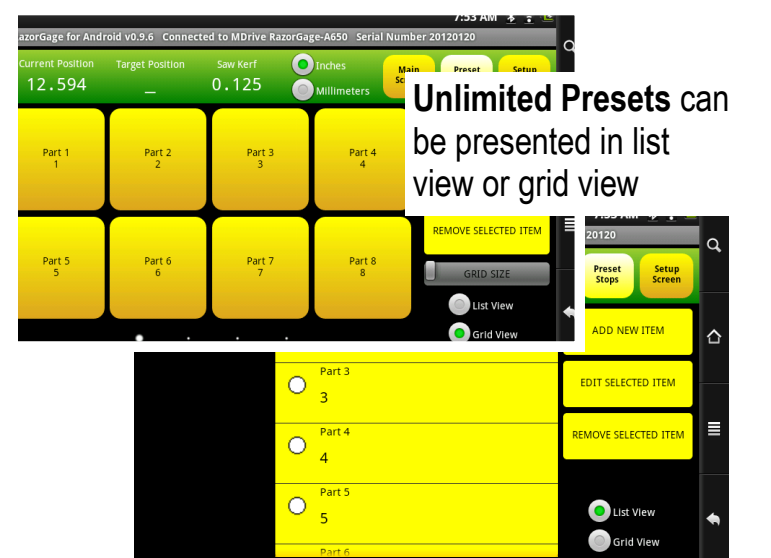
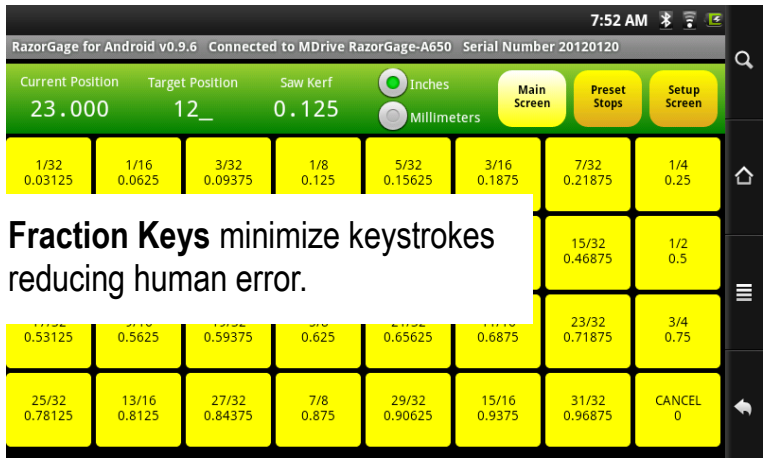
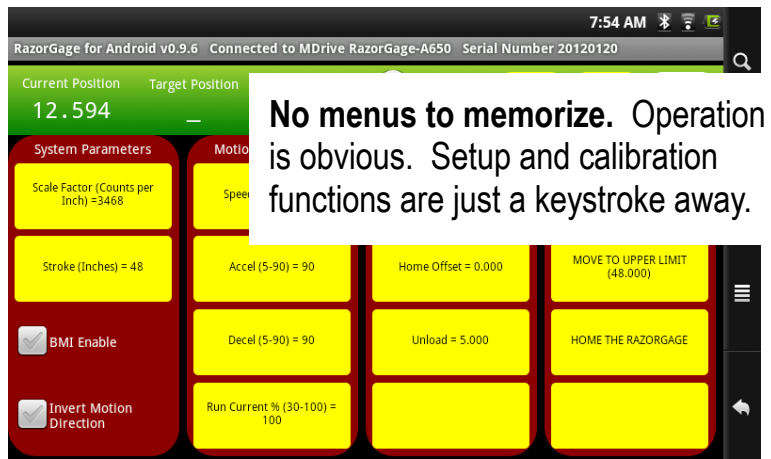
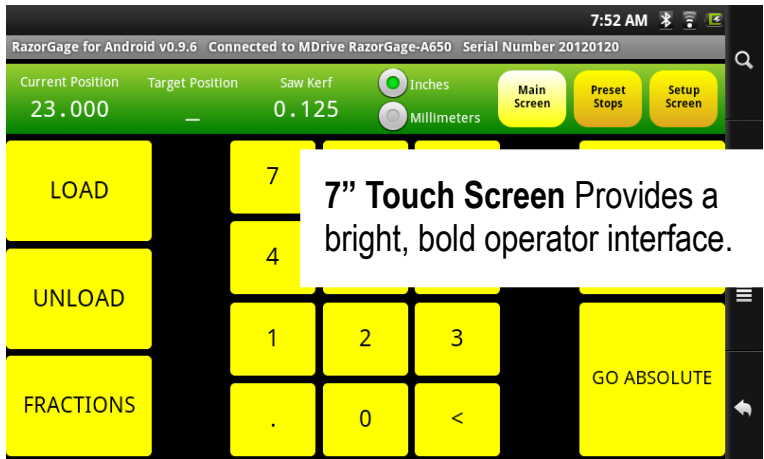


Better Hardware
Better Software
Better Buy RazorGage



Ames, Iowa, U.S.A.
www.razorgage.com

RazorGage xT offers amazing software functionality without breaking the bank including a Work Order screen that lets you create and save thousands of cutlists.



Accuracy: ± 0.008 " over 12 feet if calibrated with a capable measuring device.

Repeatability: 0025"

Max Speed: 17 ips

Power Req'd: 120 VAC / 10 Amps

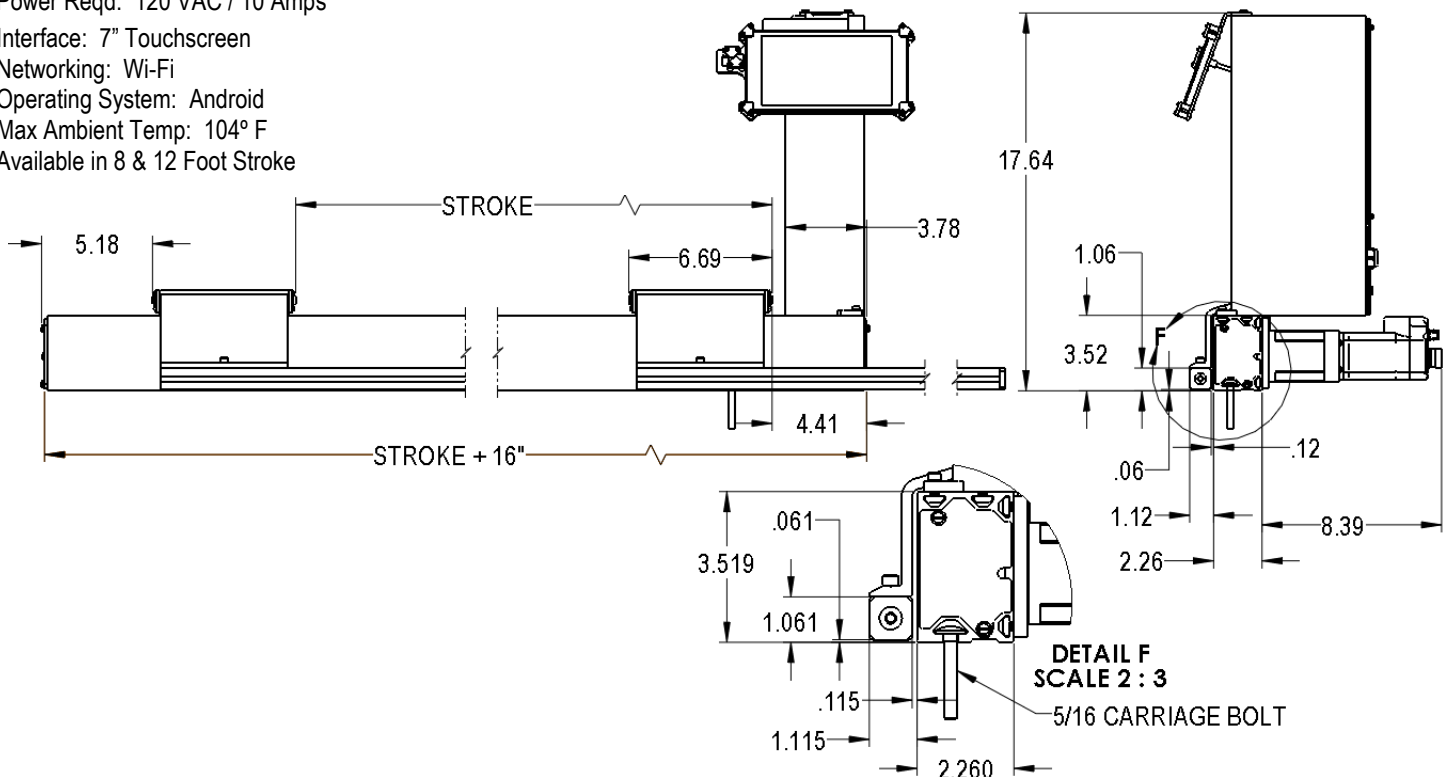
Interface: 7" Touchscreen

Networking: Wi-Fi

Operating System: Android

Max Ambient Temp: 104° F

Available in 8 & 12 Foot Stroke



For detailed information, videos, & manuals, visit www.razorgage.com