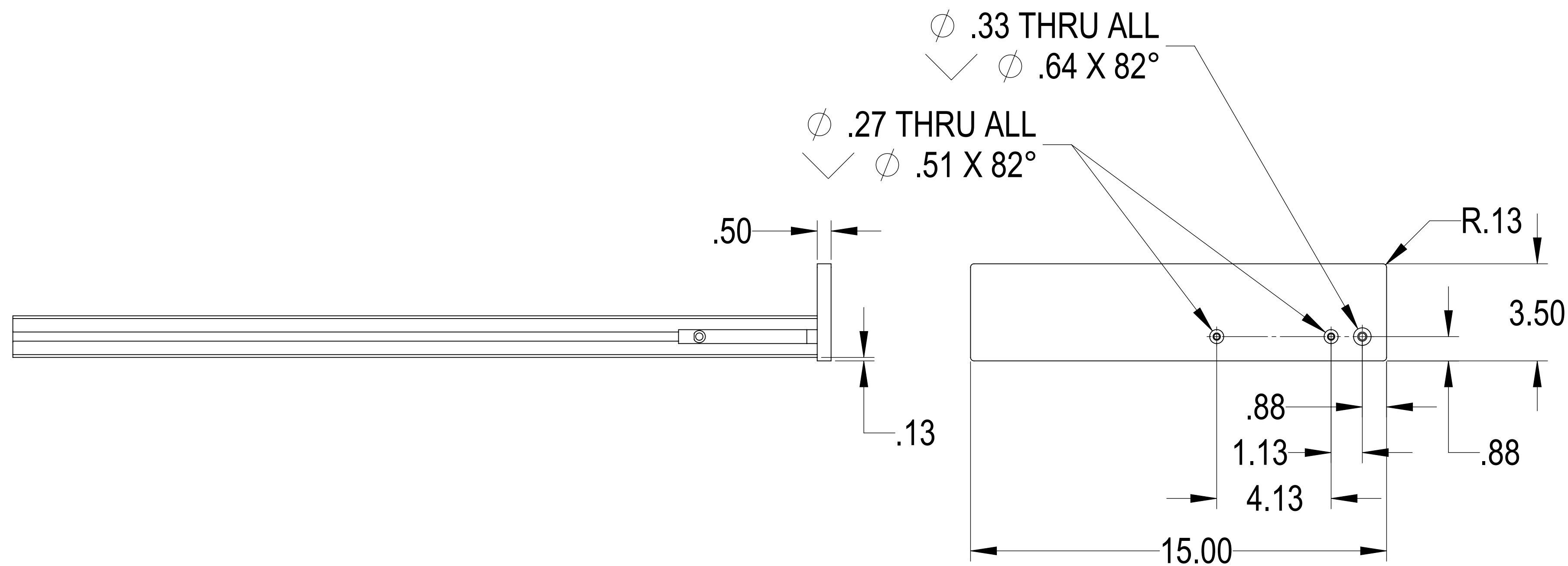
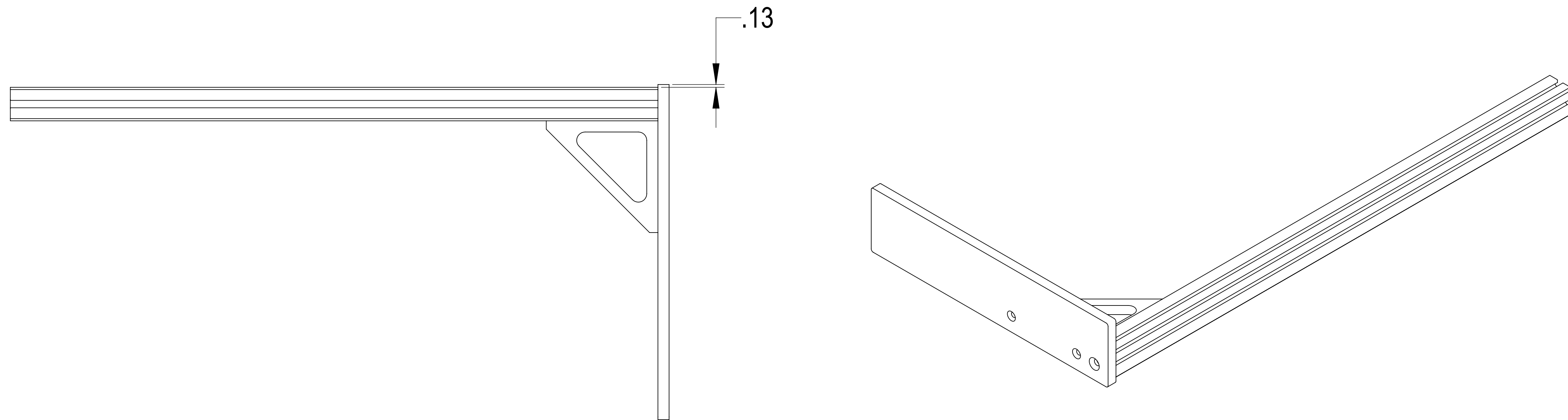


REVISIONS				
ZONE	REV	DESCRIPTION	DATE	APPROVED
ALL	0	ORIGINAL REVISION	DATE	APPROVED



STANDARD NOTES: TOLERANCES UNLESS OTHERWISE SPECIFIED FRACTIONAL ± 1/16 X . XX ± .01 X . XXX ± .005 ANGLES ± 1° BREAK ALL SHARP EDGES INTERPRET DRAWING PER ASME Y14.5 -1994	DR BY: HOSHOR	<b>TECHNICAL SERVICES INC.</b> CUSTOM AUTOMATION FOR INDUSTRY AMES, IA GANG STOP FOR RAZORGAGE ST
	DATE: 9/29/2017 12:18:21 PM	
	ORDER QTY:	
	JOB NO.:	
DATE ORDERED:	DATE NEEDED:	SIZE: B
RGX NO.:	RGX	DWG NO. RGD1129-000
SCALE: 1:3	WT:	REV: 1
SHEET: 1		