

RAZORGAGE

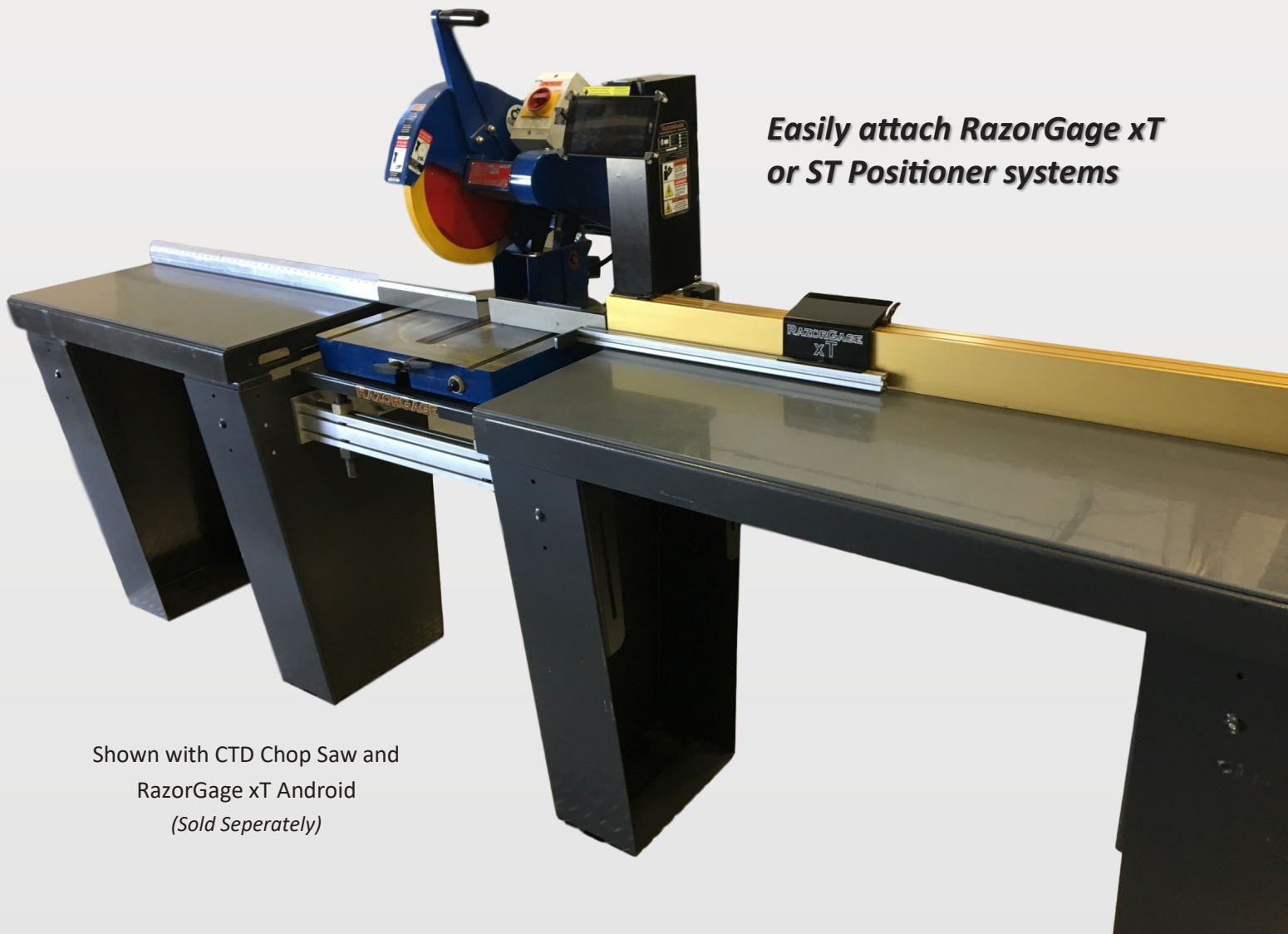
POSITIONERS • SOFTWARE • SYSTEMS



CHOP SAW TABLE

The RazorGage Chop Saw Table provides the sturdy construction and adjustability required for most chop saw cutting stations, in a heavy production environment.

- ◆ Works with all brands of industrial chop saws
- ◆ Heavy duty, welded construction from 10 gauge steel
- ◆ Powder coat finish to fight rust and abrasion
- ◆ Saw platform easily adjust to allow perfectly flat transition from the table to saw
- ◆ Table height adjusts from 34.5" to 44.5"



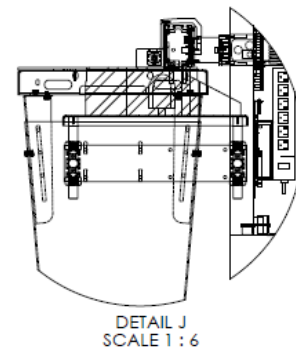
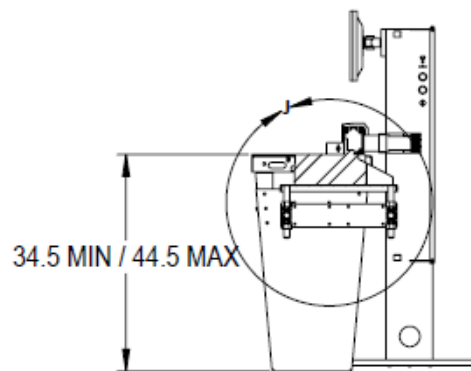
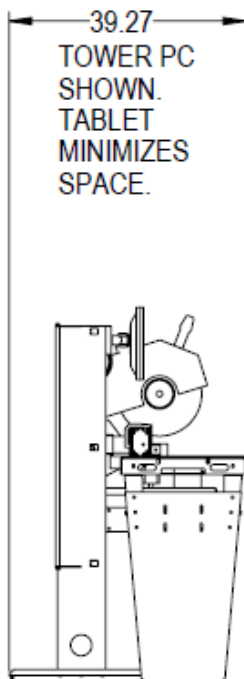
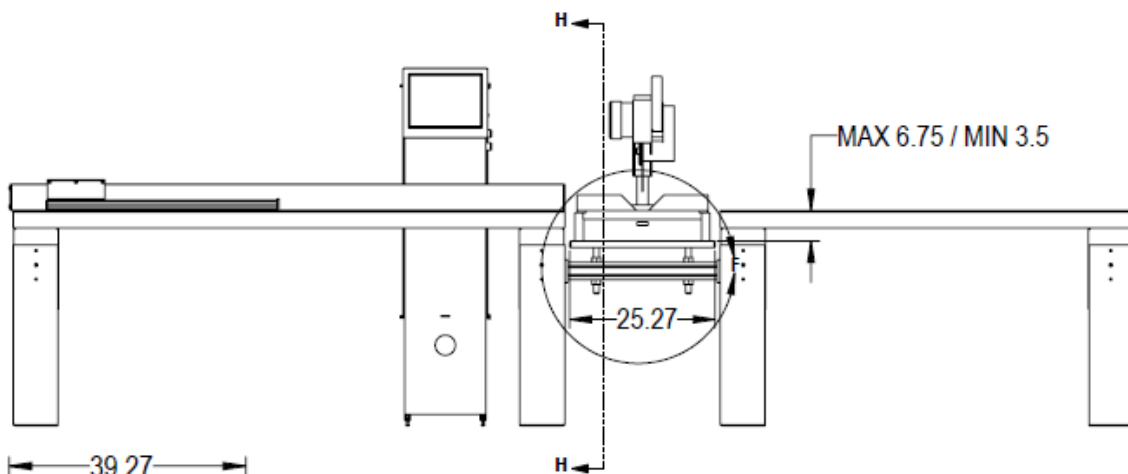
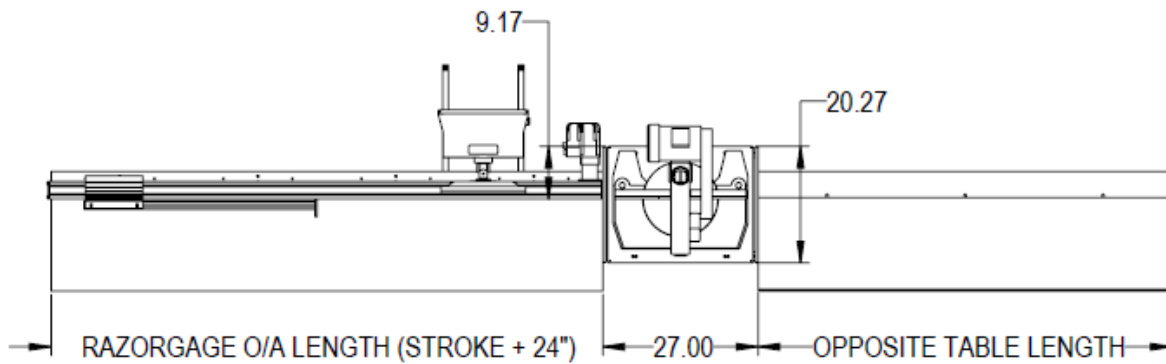
*Easily attach RazorGage xT
or ST Positioner systems*

Shown with CTD Chop Saw and
RazorGage xT Android
(Sold Separately)

www.razorgage.com

Manufactured by Technical Services Inc., Ames, Iowa - 515-232-3188

RazorGage Chop Saw mount drawing for PC Tower with RazorGage ST Positioner



For detailed information, videos & manuals, visit Razorgage.com