

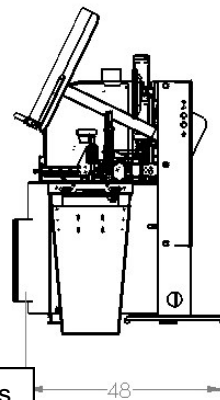
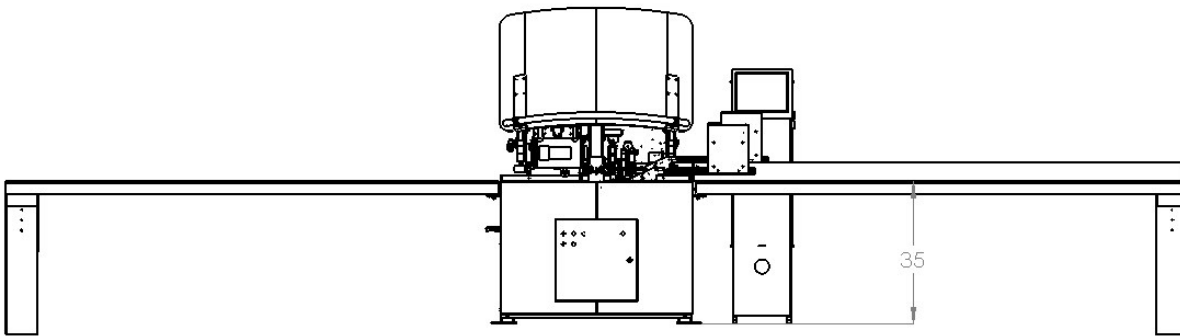
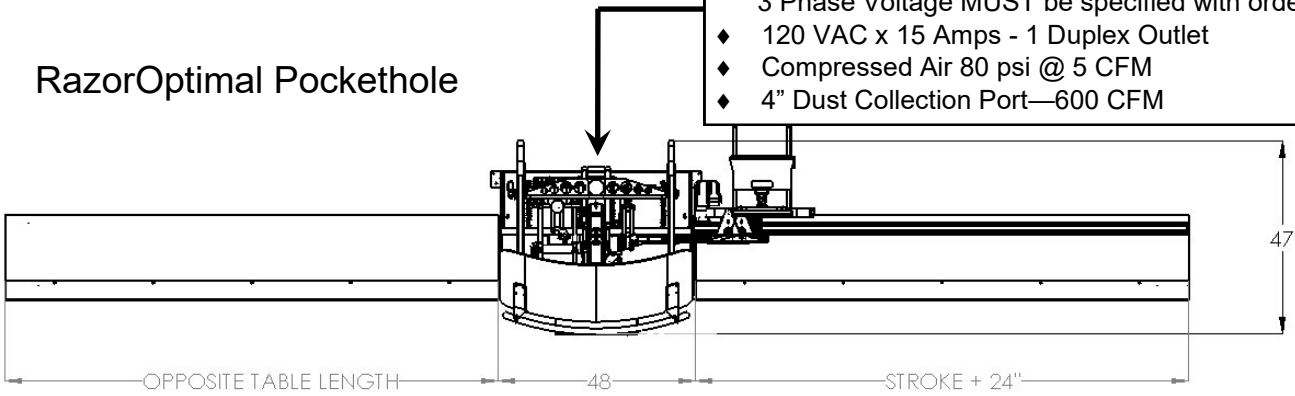
RAZORGAGE

POSITIONERS • SOFTWARE • SYSTEMS

Dimensions for RazorGage Products

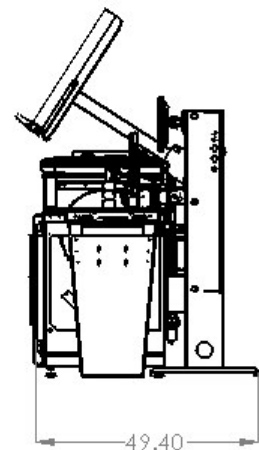
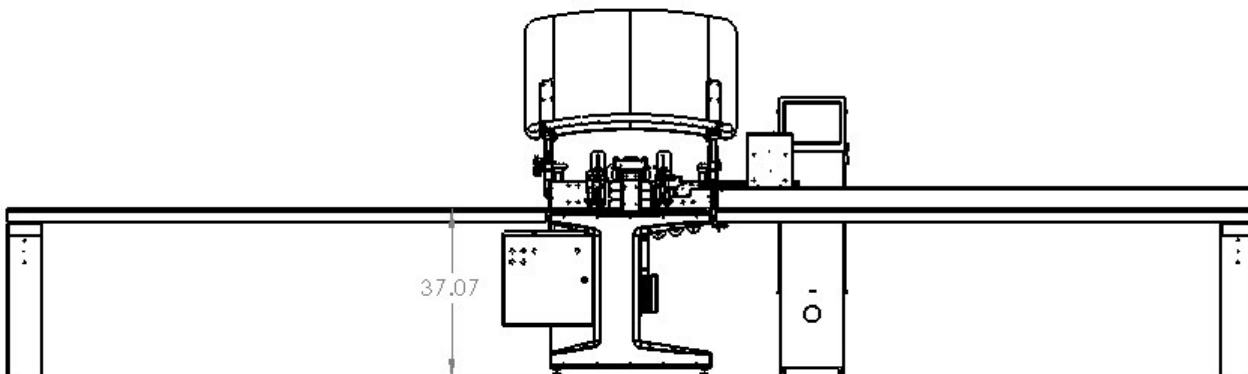
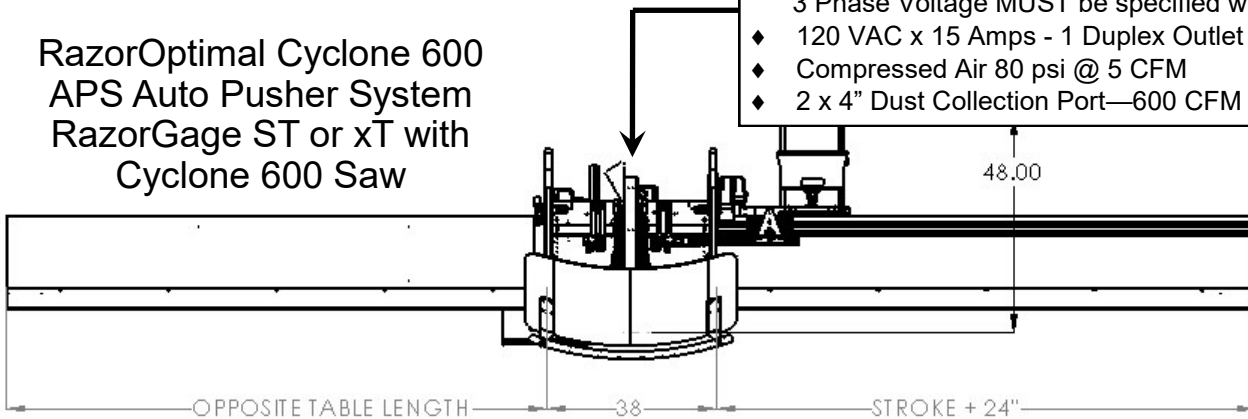
RazorOptimal Pockethole

- ◆ 208 or 230 3Ph x 30 Amps OR 450 3Ph 20 Amps
3 Phase Voltage MUST be specified with order.
- ◆ 120 VAC x 15 Amps - 1 Duplex Outlet
- ◆ Compressed Air 80 psi @ 5 CFM
- ◆ 4" Dust Collection Port—600 CFM



RazorOptimal Cyclone 600
APS Auto Pusher System
RazorGage ST or xT with
Cyclone 600 Saw

- ◆ 208 or 230 3Ph x 30 Amps OR 450 3Ph 20 Amps
3 Phase Voltage MUST be specified with order.
- ◆ 120 VAC x 15 Amps - 1 Duplex Outlet
- ◆ Compressed Air 80 psi @ 5 CFM
- ◆ 2 x 4" Dust Collection Port—600 CFM



RazorGage ST with Roller Table

