

RAZORGAGE

OPTIONS & ACCESSORIES

SAFE-T-CROWDERS

*INSTALLS EASILY
ON YOUR
UPCUT SAW!*



Foot pedal operated upcut saws are unsafe! Comply with current safety standards using Safe-T-Crowders.

**BETTER
BY
DESIGN**

Sliding grips on either side of your saw's top guard allow your operator to safely and comfortably crowd stock against the fence & then cycle the saw by simultaneously depressing two thumb buttons



WWW.RAZORGAGE.COM

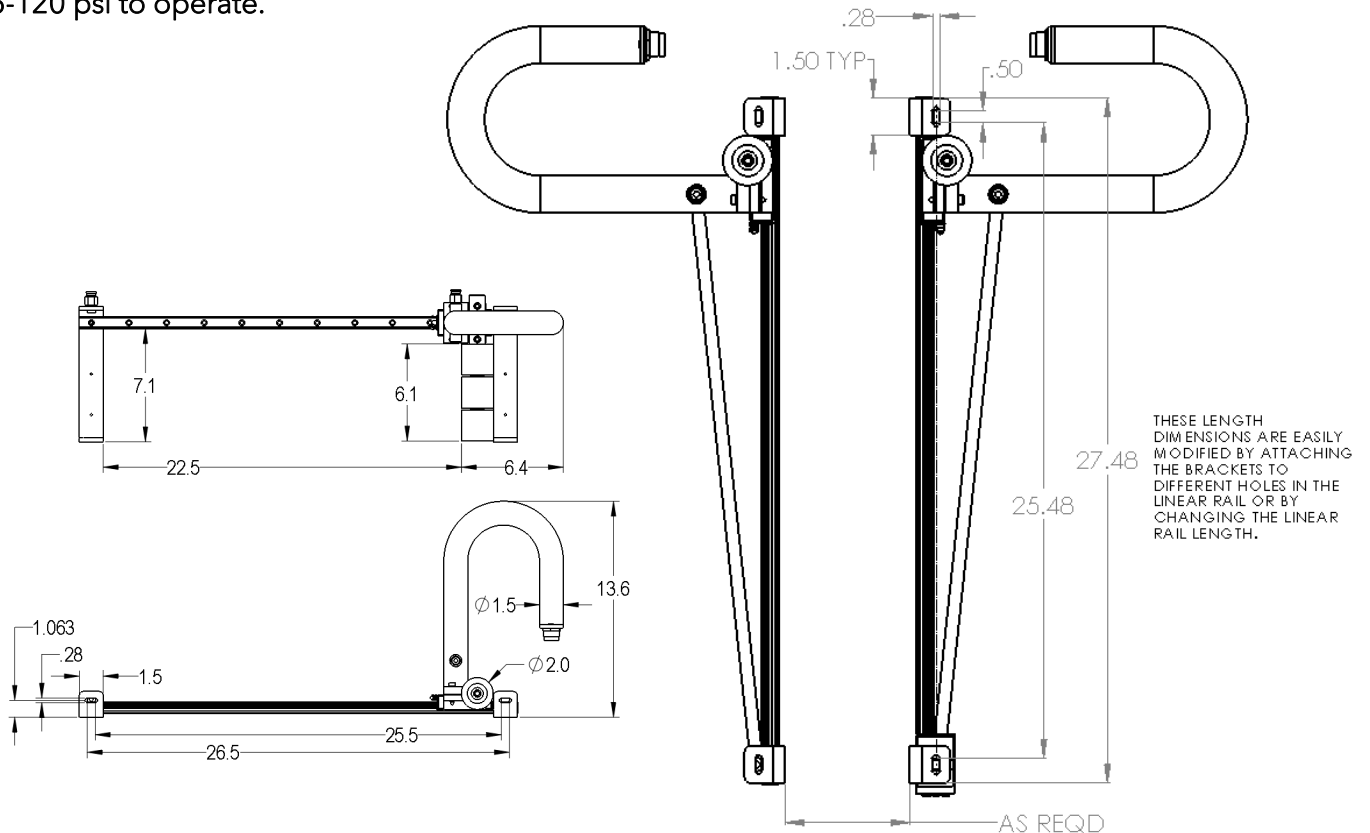
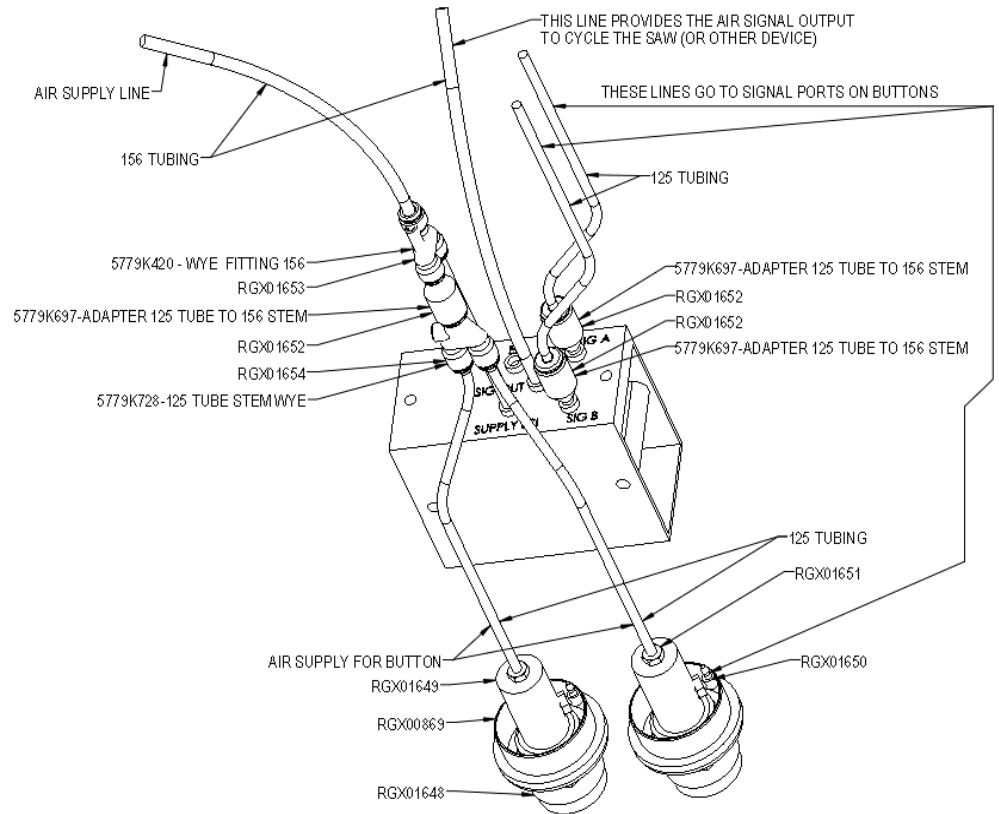
515.232.3188 • Sales@RazorGage.com

Safe -T- Crowders

Installation

Pneumatic Installation:

Whether your upcut saw has a foot pedal or a conventional pneumatic 2-hand anti-tie down device, installation of Safe-T-Crowders is simple. Either device mentioned will have a supply line and a signal line. The supply line provides line air pressure to pressurize the device. The signal line transports the air signal pressure to initialize the saw cycle logic circuit. To install Safe-T-Crowders simply remove the pressure line from the foot pedal and plug it into the pressure port on the Safe-T-Crowder. Now remove the signal line from your foot pedal and plug it into the signal port on the Safe-T-Crowder. Safe-T-Crowders require 35-120 psi to operate.



RazorGage - Technical Services, Inc. - 57006 241st Street, Ames, IA 50010 - P(515) 232-3188

For detailed information, videos, & manuals, visit www.razorgage.com